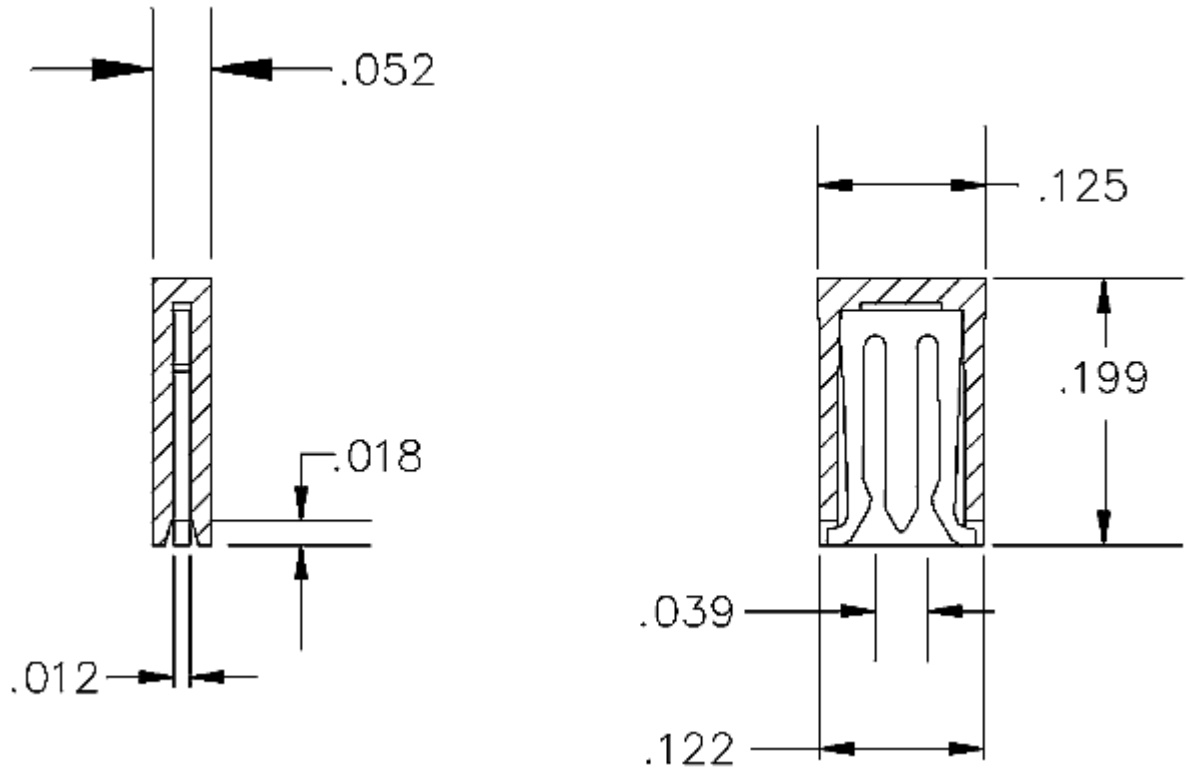


Catalog Page 92B-1

1mm	Jumper	Single Shunt	Insulated	microshunt
-----	--------	--------------	-----------	------------

1mm Center Microshunt Closed Top Single Jumper



Base Part Number	A		B		C		D		E		Plating Options	Number of Positions
	mm	Inch	mm	Inch	mm	Inch	mm	Inch	mm	Inch		
CTAIJ1MM-R Red											T : G	CLOSED TOP
CTAIJ1MM Black (std)											T : G	CLOSED TOP
CTAIJ1MM-G Green											T : G	CLOSED TOP
CTAIJ1MM-W White											T : G	CLOSED TOP
CTAIJ1MM-B Blue											T : G	CLOSED TOP

Technical Notes	
Contact Material:	Contact: Stamped - BeCu
Insulation Material:	Glass Filled Nylon 46 - UL 94V-0 rated - Black (std)
Heat Deflection:	260°C @ 264 PSI per ASTM D648
Insulation Resistance:	5000 MegOhm @ 500VDC
Current Rating:	1 amp continuous @ 100 VDC/contact

Max Processing Temp:	250°C for 60 seconds
Insertion Force:	75 grams (2.6 oz) typical with .012 inch square pin
Extraction Force:	49 grams (1.7 oz.) typical with .012 inch square pin

COMM CON CONNECTORS INC.

1848 Evergreen Street, Duarte, Ca 91010 · (626) 301-4200 · fax (626) 301-4212 · e-mail:

info@commcon.com