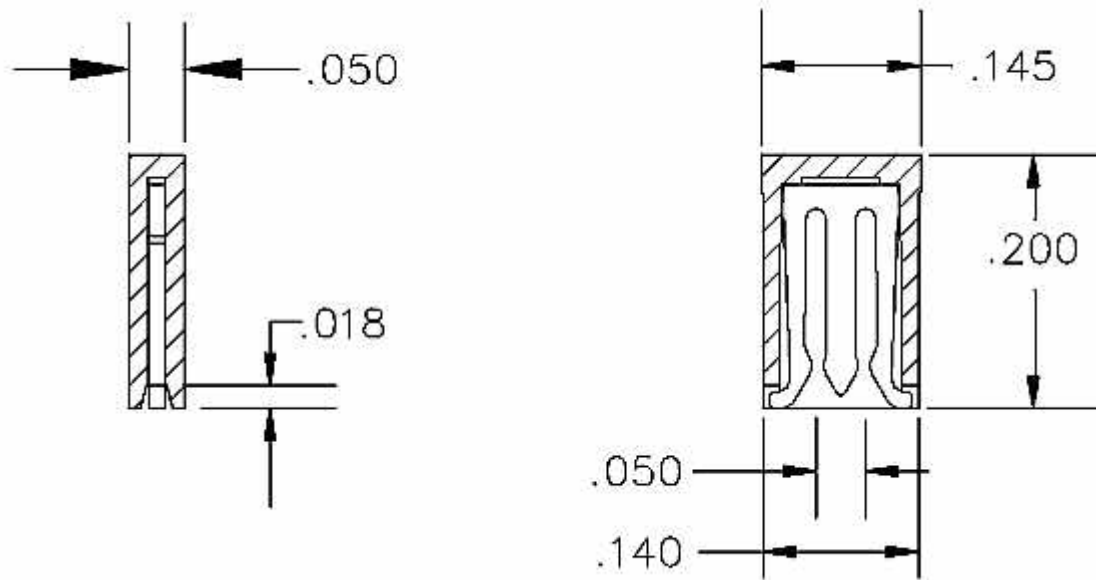


Use this browser's print function to print this entire page, then close this window.

Catalog Page 92A-1

.050"	Jumper	Single Shunt	Insulated
-------	--------	--------------	-----------

.050" Center, Microshunt, Closed Top, Single Jumper



Base Part Number	A		B		C		D		E		Plating Options	Number of Positions
	mm	Inch	mm	Inch	mm	Inch	mm	Inch	mm	Inch		
<b>CTAIJ050-R</b> Red	6.73	0.265	4.19	0.165	2.24	0.088					G : T	CLOSED TOP
<b>CTAIJ050</b> Black (std)	6.73	0.265	4.19	0.165	2.24	0.088					G : T	CLOSED TOP
<b>CTAIJ050-G</b> Green	6.73	0.265	4.19	0.165	2.24	0.088					G : T	CLOSED TOP
<b>CTAIJ050-W</b> White	6.73	0.265	4.19	0.165	2.24	0.088					G : T	CLOSED TOP
<b>CTAIJ050-B</b> Blue	6.73	0.265	4.19	0.165	2.24	0.088					G : T	CLOSED TOP

**Technical Notes**

<b>Contact Material:</b>	Contact: Stamped, BeCu
<b>Insulate Material:</b>	Glass Filled Nylon 46, UL 94V-0 rated, Black (std)
<b>Temperature Range:</b>	-65°C to +250°C
<b>Insulation Resistance:</b>	5,000 MegOhm @ 500VDC
<b>Current Rating:</b>	1 amp continuous @ 100 VDC/contact
<b>Max Processing Temperature:</b>	250°C for 60 seconds
<b>Insertion Force:</b>	82 grams (2.9 oz) typical with .016" square pin
<b>Extraction Force:</b>	48 grams (1.7 oz) typical with .016" square pin
<b>Heat Deflection:</b>	260°C @ 264 PSI per ASTM D648

***COMM CON CONNECTORS INC.***

1848 Evergreen Street, Duarte, Ca 91010 · (626) 301-4200 · fax (626) 301-4212 · e-mail: [info@commcon.com](mailto:info@commcon.com)