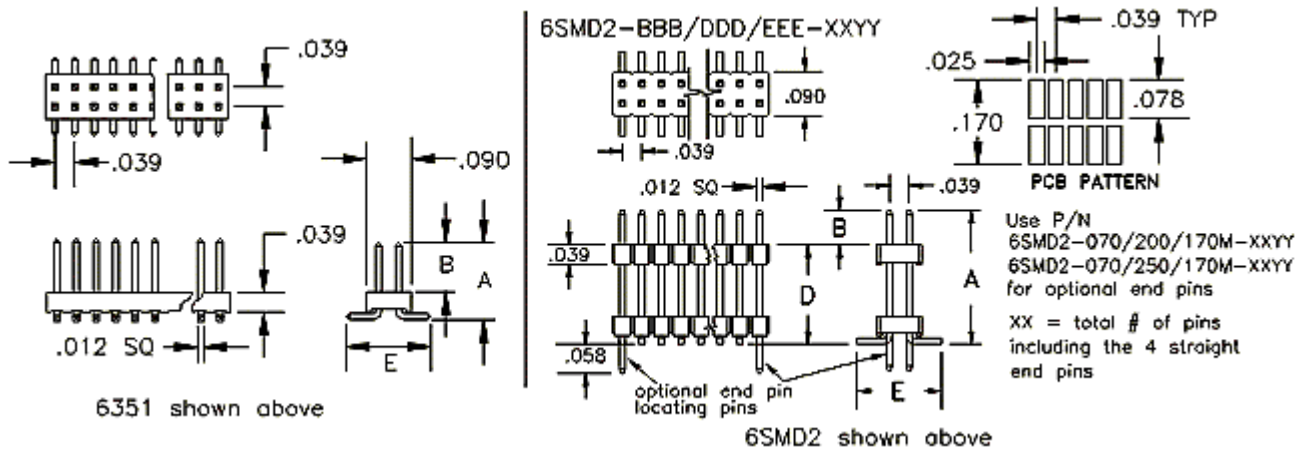


1mm	Header	Double Row - with stacking option	Straight	Surface Mount
-----	--------	-----------------------------------	----------	---------------

1mm Center .012 inch Square Pin - Double Row Straight SMD Header - with stacking option



Base Part Number	A		B		C		D		E		Plating Options	Number of Positions
	mm	Inch	mm	Inch	mm	Inch	mm	Inch	mm	Inch		
6351	4.19	0.165	2.79	0.110					4.32	0.170	G1	4-40
6SMD2-070/200/170 2 insulators	6.86	0.270	1.78	0.070			5.08	0.200	4.32	0.170	G1 : T	4-40
6SMD2-070/200/170M hold down posts	6.86	0.270	1.78	0.070			5.08	0.200	4.32	0.170	G1 : T	4-40
6SMD2-070/250/170 2 insulators	8.13	0.320	1.78	0.070			6.35	0.250	4.32	0.170	G1 : T	4-40
6SMD2-070/250/170M hold down posts	8.13	0.320	1.78	0.070			6.35	0.250	4.32	0.170	G1 : T	4-40

Technical Notes	
Contact Material:	Pin: Phosphor Bronze - .012 inch sq - drawn wire - burr free both ends
Insulation Material:	Glass Filled Nylon 46 - UL 94V-0 rated - Black (std)
Heat Deflection:	260°C @ 264 PSI per ASTM D648
Insulation Resistance:	5000 MegOhm @ 500VDC
Current Rating:	1 amp continuous @ 100 VDC/contact
Max Processing Temp:	250°C for 60 seconds
Plastic:	High Temperature Compatible

COMM CON CONNECTORS INC.
 1848 Evergreen Street, Duarte, Ca 91010 · (626) 301-4200 · fax (626) 301-4212 · e-mail:
info@commcon.com