

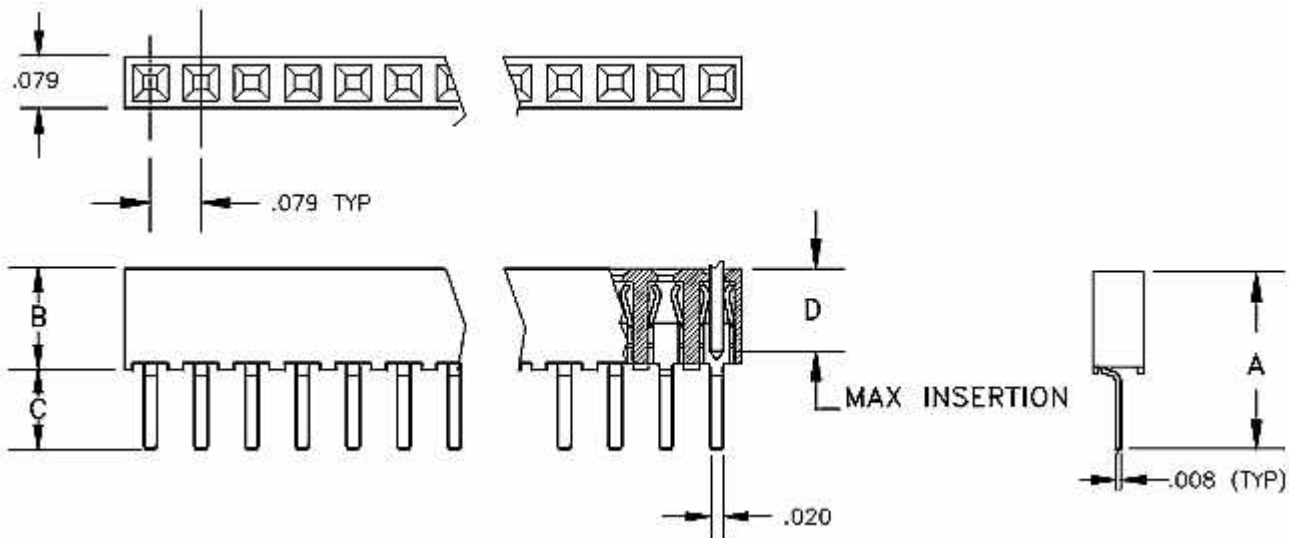
Use this browser's print function to print this entire page, then close this window.

Catalog Page 78-1

Hi Temperature Plastic

2mm	Socket	Single Row	Straight	Thru Hole
-----	--------	------------	----------	-----------

2mm Center, Single Row Straight Socket



Base Part Number	A		B		C		D		E		Plating Options	Number of Positions
	mm	Inch	mm	Inch	mm	Inch	mm	Inch	mm	Inch		
1306	70.36	2.770	3.99	0.157	3.05	0.120	3.68	0.145			G2	2-50

Technical Notes

Contact Material:	Contact: Stamped, Phosphor Bronze
Insulate Material:	Glass Filled Nylon 46, UL 94V-0 rated, Black (std)
Temperature Range:	-65°C to +250°C
Insulation Resistance:	5,000 MegOhm @ 500VDC
Current Rating:	1 amp continuous @ 100 VDC/contact
Max Processing Temperature:	250°C for 60 seconds
Insertion Force:	142 grams (5.0oz) (typ initial w/ .020" sq pin)
Extraction Force:	80 grams (2.8oz) (typ initial w/ .020" sq pin)
Heat Deflection:	260°C @ 264 PSI per ASTM D648

COMM CON CONNECTORS INC.

1848 Evergreen Street, Duarte, Ca 91010 · (626) 301-4200 · fax (626) 301-4212 · e-mail: info@commcon.com