

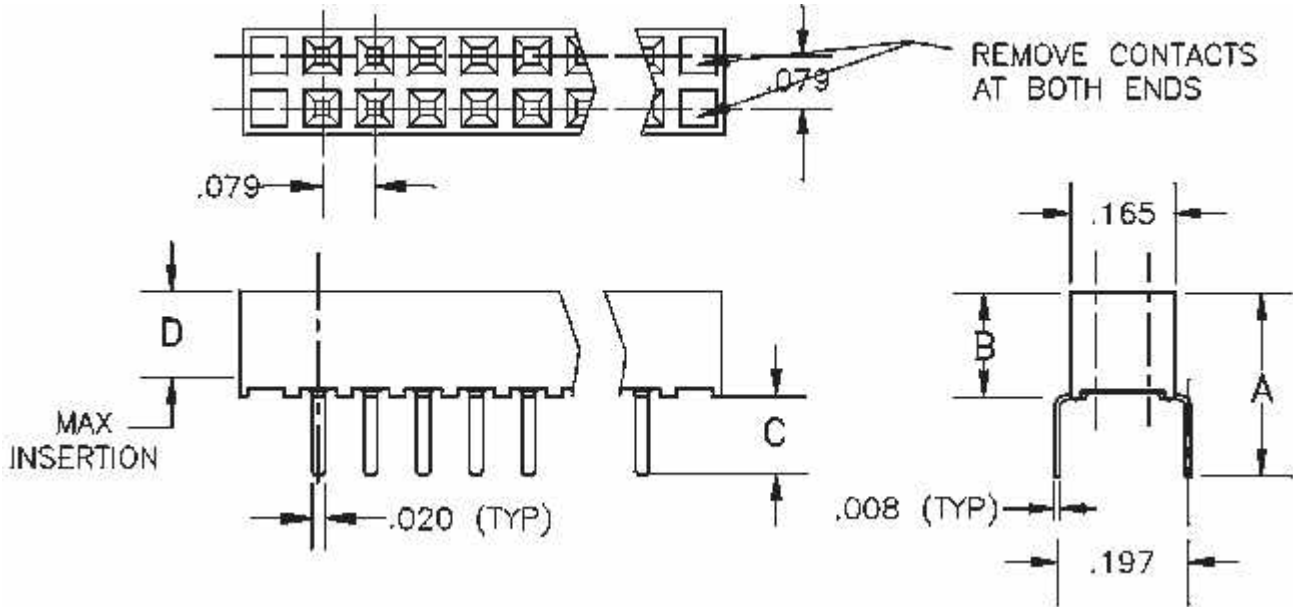
Use this browser's print function to print this entire page, then close this window.

Catalog Page 75-1

Hi Temperature Plastic

2mm	Socket	Pass Through - use with Box Headers	Straight	Thru Hole
-----	--------	-------------------------------------	----------	-----------

2mm Center, Double Row Straight Pass Through - use with Box Headers



Base Part Number	A		B		C		D		E		Plating Options	Number of Positions
	mm	Inch	mm	Inch	mm	Inch	mm	Inch	mm	Inch		
1372	6.78	0.267	3.99	0.157	2.79	0.110	3.56	0.140			G2 : T	10:12:14:16:20:24:26:30:34:36:44:50:60:68

Technical Notes

Contact Material:	Contact: Stamped, Phosphor Bronze
Insulate Material:	Glass Filled Nylon 46, UL 94V-0 rated, Black (std)
Temperature Range:	-65°C to +250°C
Insulation Resistance:	5,000 MegOhm @ 500VDC
Current Rating:	1 amp continuous @ 100 VDC/contact
Max Processing Temperature:	250°C for 60 seconds
Insertion Force:	142 grams (5.0oz) (typ initial w/ .020" sq pin)
Extraction Force:	80 grams (2.8oz) (typ initial w/ .020" sq pin)
Heat Deflection:	260°C @ 264 PSI per ASTM D648

COMM CON CONNECTORS INC.

1848 Evergreen Street, Duarte, Ca 91010 · (626) 301-4200 · fax (626) 301-4212 · e-mail: info@commcon.com