

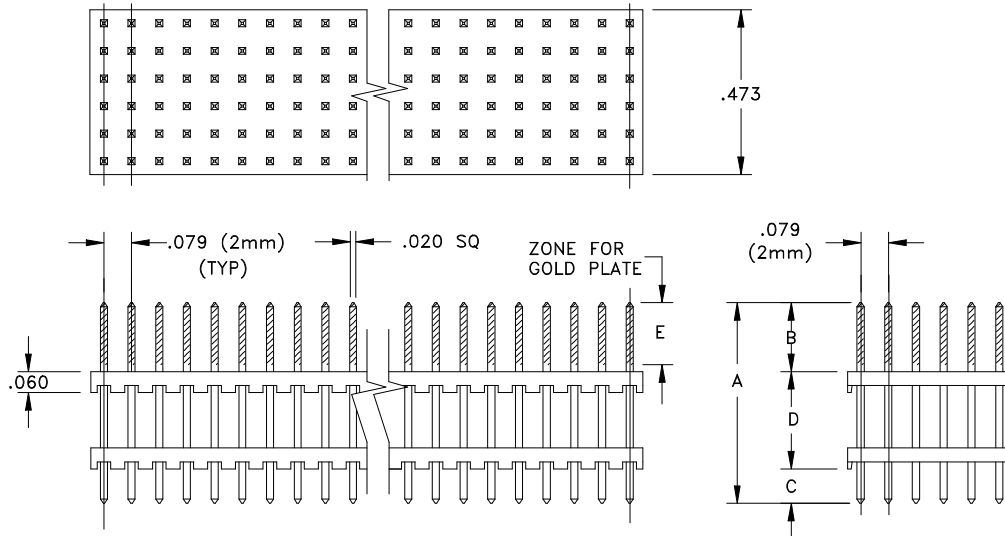
Use this browser's print function to print this entire page, then close this window.

Catalog Page 67B-1

Hi Temperature Plastic

2mm	Header	Six Row - Stacking	Straight	Thru Hole
-----	--------	--------------------	----------	-----------

2mm Center, .020" Square Pin, Board Stacking, 6 Row Straight Header



Base Part Number	A		B		C		D		E		Plating Options	Number of Positions
	mm	Inch	mm	Inch	mm	Inch	mm	Inch	mm	Inch		
MD6-100/120/100 "MD6-"B"/"D"/"C"	8.13	0.320	2.54	0.100	2.54	0.100	3.05	0.120	3.56	0.140	G2LF : TLF	12-150
MD6-140/120/075 "MD6-"B"/"D"/"C"	8.51	0.335	3.56	0.140	1.90	0.075	3.05	0.120	3.56	0.140	G2LF : TLF	12-150
MD6-100/135/100 "MD6-"B"/"D"/"C"	8.51	0.335	2.54	0.100	2.54	0.100	3.43	0.135	3.56	0.140	G2LF : TLF	12-150
MD6-140/120/125 "MD6-"B"/"D"/"C"	9.78	0.385	3.56	0.140	3.18	0.125	3.05	0.120	3.56	0.140	G2LF : TLF	12-150
MD6-100/210/100 "MD6-"B"/"D"/"C"	10.41	0.410	2.54	0.100	2.54	0.100	5.33	0.210	3.56	0.140	G2LF : TLF	12-150
MD6-140/160/110 "MD6-"B"/"D"/"C"	10.41	0.410	3.56	0.140	2.79	0.110	4.06	0.160	3.56	0.140	G2LF : TLF	12-150
MD6-140/295/110 "MD6-"B"/"D"/"C"	13.84	0.545	3.56	0.140	2.79	0.110	7.49	0.295	3.56	0.140	G2LF : TLF	12-150
MD6-140/320/110 "MD6-"B"/"D"/"C"	14.48	0.570	3.56	0.140	2.79	0.110	8.13	0.320	3.56	0.140	G2LF : TLF	12-150
MD6-100/370/100 "MD6-"B"/"D"/"C"	14.48	0.570	2.54	0.100	2.54	0.100	9.40	0.370	3.56	0.140	G2LF : TLF	12-150
MD6-140/400/110 "MD6-"B"/"D"/"C"	16.51	0.650	3.56	0.140	2.79	0.110	10.16	0.400	3.56	0.140	G2LF : TLF	12-150
MD6-100/450/100 "MD6-"B"/"D"/"C"	16.51	0.650	2.54	0.100	2.54	0.100	11.43	0.450	3.56	0.140	G2LF : TLF	12-150
MD6-140/480/110 "MD6-"B"/"D"/"C"	18.54	0.730	3.56	0.140	2.79	0.110	12.19	0.480	3.56	0.140	G2LF : TLF	12-150
MD6-100/530/100 "MD6-"B"/"D"/"C"	18.54	0.730	2.54	0.100	2.54	0.100	13.46	0.530	3.56	0.140	G2LF : TLF	12-150
MD6-140/750/100 "MD6-"B"/"D"/"C"	25.15	0.990	3.56	0.140	2.54	0.100	19.05	0.750	3.56	0.140	G2LF : TLF	12-150
MD6-140/906/100 "MD6-"B"/"D"/"C"	29.11	1.146	3.56	0.140	2.54	0.100	23.01	0.906	3.56	0.140	G2LF : TLF	12-150

Technical Notes	
Contact Material:	Pin: Phosphor Bronze - .020”sq pin, drawn wire, burr free both ends
Insulation Material:	Glass Filled Nylon 46 - UL 94V-0 rated - Black (std)
Heat Deflection:	260°C @ 264 PSI per ASTM D648
Insulation Resistance:	5000 MegOhm @ 500VDC
Current Rating:	2 amps continuous @ 100 VDC/contact
Max Processing Temp:	250°C for 60 seconds
Plastic:	High Temperature Plastic
<i>COMM CON WORLDWIDE INC.</i>	
759 Flynn Road, Camarillo, Ca 93012 · (805) 384-4898 · fax (805) 384-4899 · e-mail: info@commcon.com	