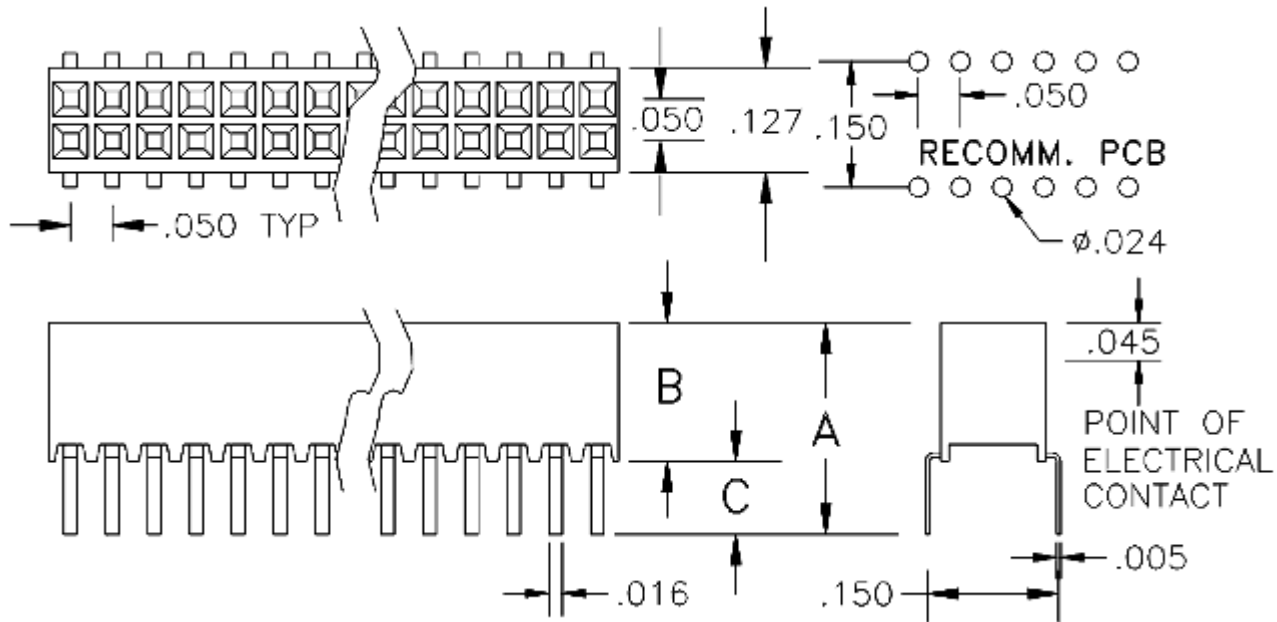


.050	Socket	Double Row Bottom Entry	Straight	Thru Hole
------	--------	-------------------------	----------	-----------

.050 inch Center - Double Row Straight - Bottom Entry Socket



Base Part Number	A		B		C		D		E		Plating Options	Number of Positions
	mm	Inch	mm	Inch	mm	Inch	mm	Inch	mm	Inch		
1478	6.40	0.252	4.19	0.165	2.21	0.087					G2	4-120

Technical Notes	
Contact Material:	Contact: Stamped - BeCu
Insulation Material:	Glass Filled Nylon 46 - UL 94V-0 rated - Black (std)
Heat Deflection:	260°C @ 264 PSI per ASTM D648
Insulation Resistance:	5000 MegOhm @ 500VDC
Current Rating:	1 amp continuous @ 100 VDC/contact
Max Processing Temp:	250°C for 60 seconds
Insertion Force:	36 grams(1.3oz) w/.016 inch sq pin - 65 grams(2.3oz) w/ .018 inchrd pin (typ initial/contact)
Extraction Force:	29 grams(1.0oz) w/.016 inch sq pin - 57 grams(2.0oz) w/ .018 inchrd pin (typ initial/contact)
Plastic:	High Temperature Compatible

COMM CON CONNECTORS INC.
 1848 Evergreen Street, Duarte, Ca 91010 · (626) 301-4200 · fax (626) 301-4212 · e-mail:
info@commcon.com