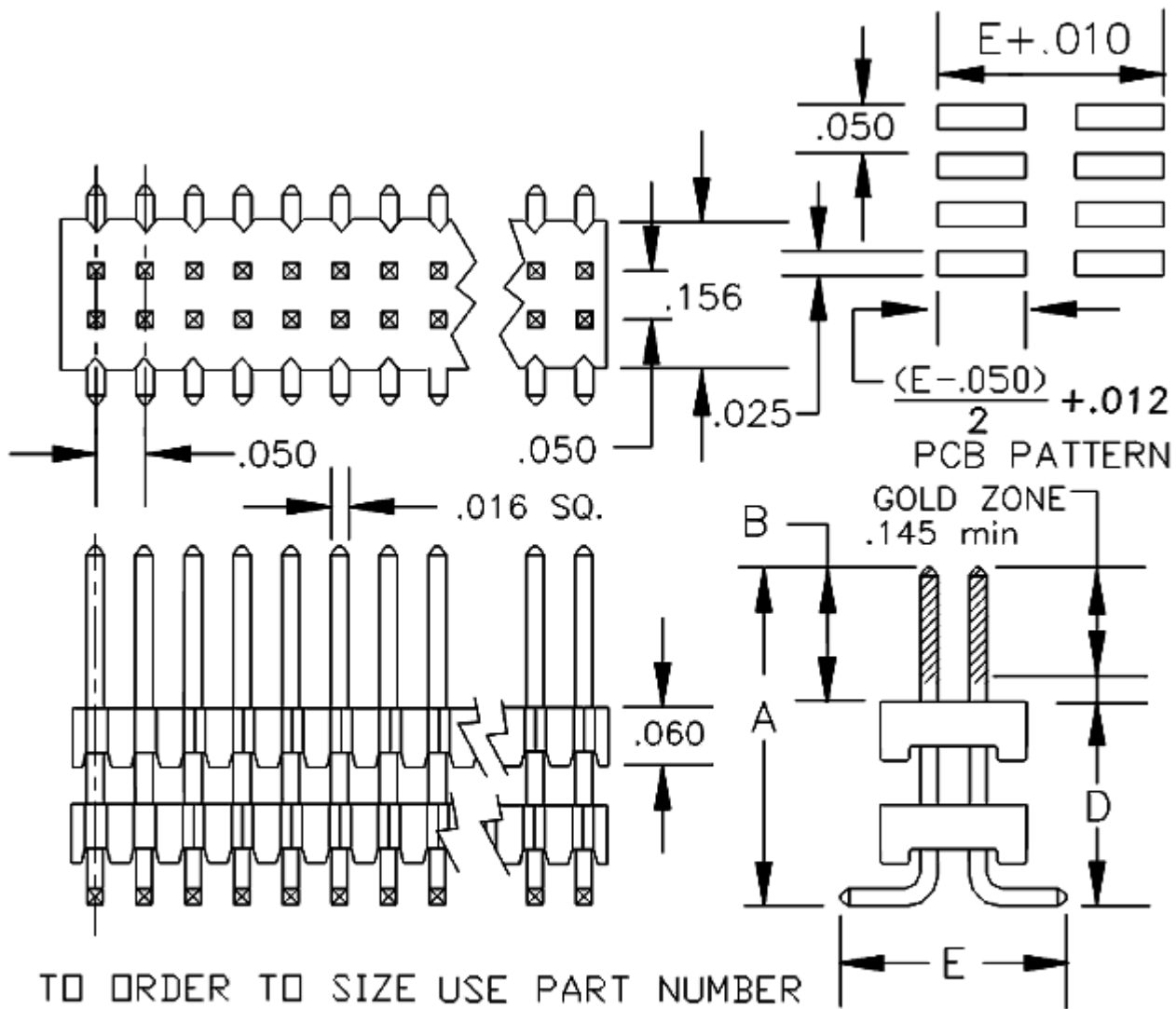


.050	Header	Double Row - .016 Pin Stacking	Straight	Surface Mount
------	--------	--------------------------------	----------	---------------

.050 inch Center - .016 inch Square Pin - Board Stacking - Double Row Straight - Surface Mount Header



TO ORDER TO SIZE USE PART NUMBER

5SMD2-B/D/E-XXYY

XX=# OF PINS YY=PLATING E= .230 SUGGESTED
FINAL DIMENSIONS TO BE DETERMINED BY FACTORY

Base Part Number	A		B		C		D		E		Plating Options	Number of Positions
	mm	Inch	mm	Inch	mm	Inch	mm	Inch	mm	Inch		
5SMD2-140/225/230 5SMD2-B/D/E	9.27	0.365	3.56	0.140			5.72	0.225	5.84	0.230	T : G2	4-120
5SMD2-140/325/230 5SMD2-B/D/E	11.81	0.465	3.56	0.140			8.25	0.325	5.84	0.230	T : G2	4-120

5SMD2-140/425/230 5SMD2-B/D/E	14.35	0.565	3.56	0.140			10.80	0.425	5.84	0.230	T : G2	4-120
5SMD2-140/525/230 5SMD2-B/D/E	16.89	0.665	3.56	0.140			13.34	0.525	5.84	0.230	T : G2	4-120
5SMD2-140/625/230 5SMD2-B/D/E	19.43	0.765	3.56	0.140			15.88	0.625	5.84	0.230	T : G2	4-120
5SMD2-140/725/230 5SMD2-B/D/E	21.97	0.865	3.56	0.140			18.42	0.725	5.84	0.230	T : G2	4-120

Technical Notes	
Contact Material:	Pin: Phosphor Bronze - .016 inch sq pin - burr free both ends
Insulation Material:	Glass Filled Nylon 46 - UL 94V-0 rated - Black (std)
Heat Deflection:	260°C @ 264 PSI per ASTM D648
Insulation Resistance:	5000 MegOhm @ 500VDC
Current Rating:	1 amp continuous @ 100 VDC/contact
Max Processing Temp:	250°C for 60 seconds
Plastic:	High Temperature Compatible

COMM CON CONNECTORS INC.
1848 Evergreen Street, Duarte, Ca 91010 · (626) 301-4200 · fax (626) 301-4212 · e-mail:
info@commcon.com