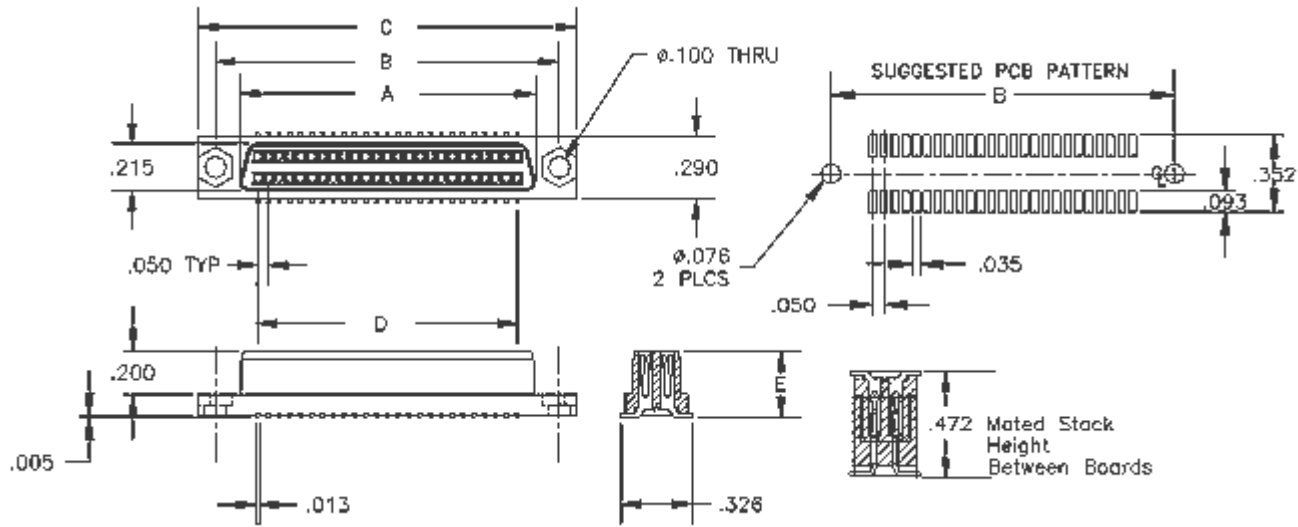


<b>.050</b>	<b>Socket</b>	<b>SCSI 3 - Shrouded Female Socket</b>	<b>Straight</b>	<b>Surface Mount</b>
-------------	---------------	--	-----------------	----------------------

.050 inch x .100 inch Center - SCSI 3 Compatible - Shrouded Straight - Surface Mount Socket



Base Part Number	A		B		C		D		E		Plating Options	Number of Positions
	mm	Inch	mm	Inch	mm	Inch	mm	Inch	mm	Inch		
<b>8004</b> status = pending	15.60	0.614	21.34	0.840	25.40	1.000	11.43	0.450	7.75	0.305	G2	20
<b>8004</b>	19.41	0.764	25.15	0.990	29.21	1.150	15.24	0.600	7.75	0.305	G2	26
<b>8004</b> status = Pending	20.68	0.814	26.42	1.040	30.48	1.200	16.51	0.650	7.75	0.305	G2	28
<b>8004</b> status = Pending	28.30	1.114	34.04	1.340	38.10	1.500	24.13	0.950	7.75	0.305	G2	40
<b>8004</b>	34.65	1.364	40.39	1.590	44.45	1.750	30.48	1.200	7.75	0.305	G2	50
<b>8004</b> status = Pending	41.00	1.614	46.74	1.840	50.80	2.000	36.83	1.450	7.75	0.305	G2	60
<b>8004</b>	46.08	1.814	51.82	2.040	55.88	2.200	41.91	1.650	7.75	0.305	G2	68
<b>8004</b> status = Pending	53.70	2.114	59.44	2.340	63.50	2.500	49.53	1.950	7.75	0.305	G2	80
<b>8004</b> status = Pending	63.86	2.514	69.60	2.740	73.66	2.900	59.69	2.350	7.75	0.305	G2	96
<b>8004</b> status = Pending	66.40	2.614	72.14	2.840	76.20	3.000	62.23	2.450	7.75	0.305	G2	100
<b>8004</b> status = Pending	79.10	3.114	84.84	3.340	88.90	3.500	74.93	2.950	7.75	0.305	G2	120

<b>Technical Notes</b>	
<b>Contact Material:</b>	Contact: Stamped - Phosphor Bronze - dual beam
<b>Insulation Material:</b>	Glass Filled Nylon 46 - UL 94V-0 rated - Black (std)
<b>Heat Deflection:</b>	260°C @ 264 PSI per ASTM D648
<b>Insulation Resistance:</b>	5000 MegOhm @ 500VDC
<b>Current Rating:</b>	1 amp continuous @ 100 VDC/contact
<b>Max Processing Temp:</b>	250°C for 60 seconds
<b>Insertion Force:</b>	76 grams (2.7oz) (typ initial force per contact w/ .016 inch x.024 inch pin)
<b>Extraction Force:</b>	46 grams (1.6oz) (typ initial force per contact w/ .016 x .024 inch pin)
<b>Plastic:</b>	High Temperature Compatible

***COMM CON CONNECTORS INC.***

1848 Evergreen Street, Duarte, Ca 91010 · (626) 301-4200 · fax (626) 301-4212 · e-mail:  
[info@commcon.com](mailto:info@commcon.com)