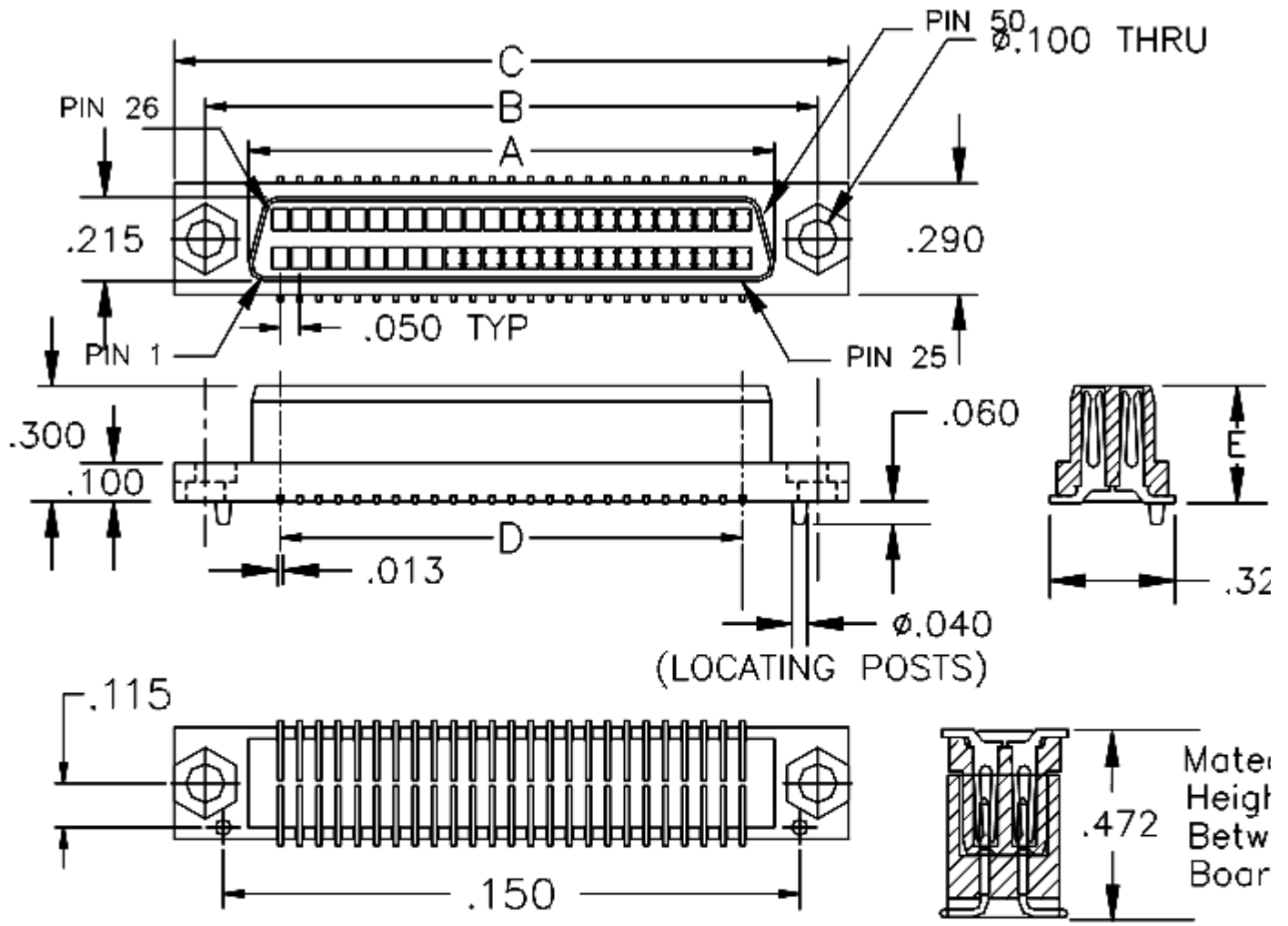
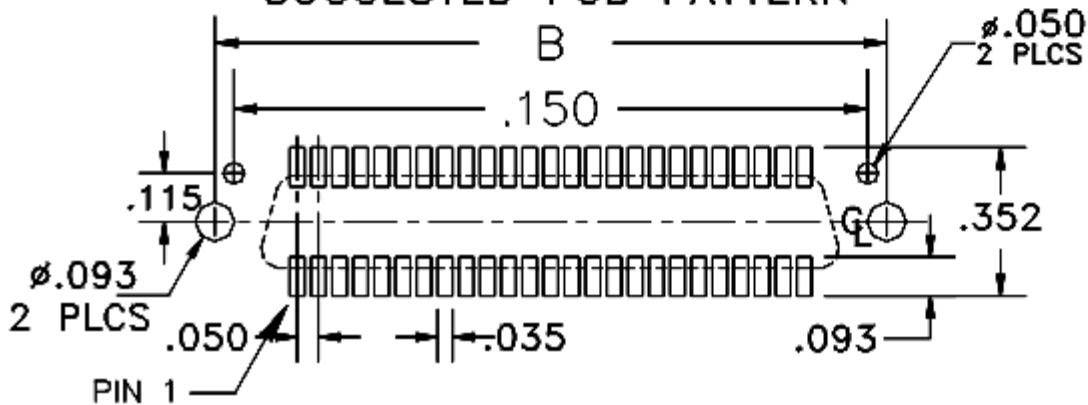


| | | | | |
|-------|--------|--------------------------------------|--------|---------------|
| .050" | Socket | Industry Pack Module w locating pins | Female | Surface Mount |
|-------|--------|--------------------------------------|--------|---------------|

Industry Pack Mezzaine Connector, Female used on IP Module, Surface Mount



SUGGESTED PCB PATTERN



| Base Part Number | A | | B | | C | | D | | E | | Plating Options | Number of Positions |
|--------------------------|-------|-------|-------|-------|-------|-------|-------|-------|------|-------|---------------------------------|---------------------|
| | mm | Inch | mm | Inch | mm | Inch | mm | Inch | mm | Inch | | |
| 8066 IP Module | 34.65 | 1.364 | 40.39 | 1.590 | 44.45 | 1.750 | 30.48 | 1.200 | 7.75 | 0.305 | G2 | 50 |

| Technical Notes | |
|-------------------------------|--|
| Contact Material: | Contact: Stamped, Phosphor Bronze |
| Insulation Material: | Glass Filled Nylon 46, UL 94V-0 rated, Black (std) |
| Heat Deflection: | 260°C @ 264 PSI per ASTM D648 |
| Insulation Resistance: | 5,000 MegOhm @ 500VDC |
| Current Rating: | 1 amp continuous @ 100 VDC/contact |
| Max Processing Temp: | 250°C for 60 seconds |
| Insertion Force: | 76 grams (2.7oz) (typ initial force per contact w/ .016" x.024" pin) |
| Extraction Force: | 46 grams (1.6oz) (typ initial force per contact w/ .016 x .024" pin) |
| Plastic: | High Temperature Compatible |

COMM CON CONNECTORS INC.
1848 Evergreen Street, Duarte, Ca 91010 · (626) 301-4200 · fax (626) 301-4212 · e-mail:
info@commcon.com