

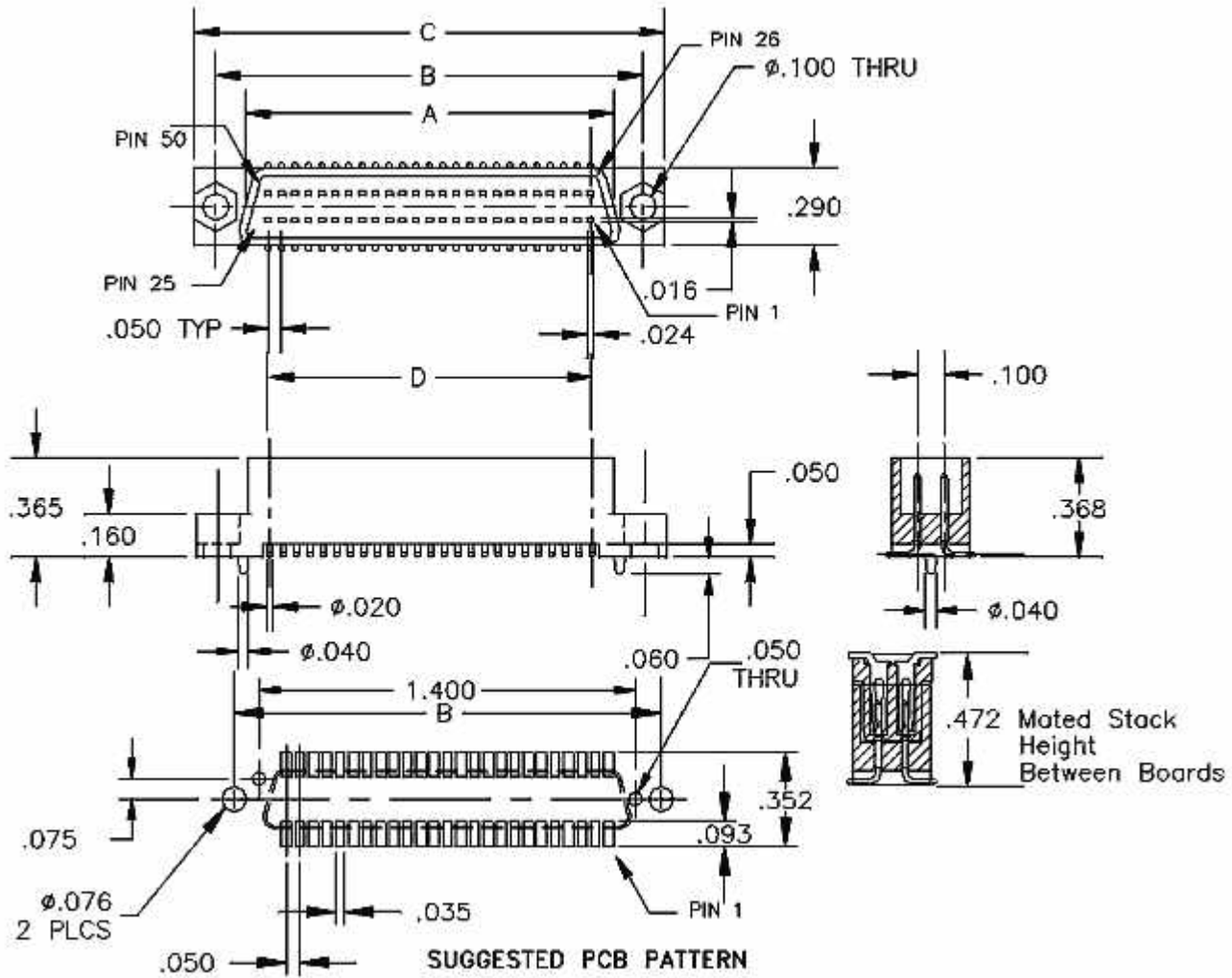
Use this browser's print function to print this entire page, then close this window.

Catalog Page 50A-2

Hi Temperature Plastic

.050"	Header	Industry Pack Module w locating pins	Male	Surface Mount
-------	--------	--------------------------------------	------	---------------

Industry Pack Mezzaine Connector, Male used on Carrier Board, Surface Mount



Base Part Number	A		B		C		D		E		Plating Options	Number of Positions
	mm	Inch	mm	Inch	mm	Inch	mm	Inch	mm	Inch		
<b>8062</b> IP Module	34.85	1.372	40.39	1.590	44.45	1.750	30.48	1.200			G2	50-50

**Technical Notes**

<b>Contact Material:</b>	Pin: Phosphor Bronze, .016"x.024" burr free
<b>Insulate Material:</b>	Glass Filled Nylon 46, UL 94V-0 rated, Black (std)
<b>Temperature Range:</b>	-65—C to +250—C
<b>Insulation Resistance:</b>	5,000 MegOhm @ 500VDC
<b>Current Rating:</b>	1 amp continuous @ 100 VDC/contact
<b>Max Processing Temperature:</b>	250—C for 60 seconds
<b>Heat Deflection:</b>	260—C @ 264 PSI per ASTM D648

***COMM CON CONNECTORS INC.***

1848 Evergreen Street, Duarte, Ca 91010 · (626) 301-4200 · fax (626) 301-4212 · e-mail: [info@commcon.com](mailto:info@commcon.com)