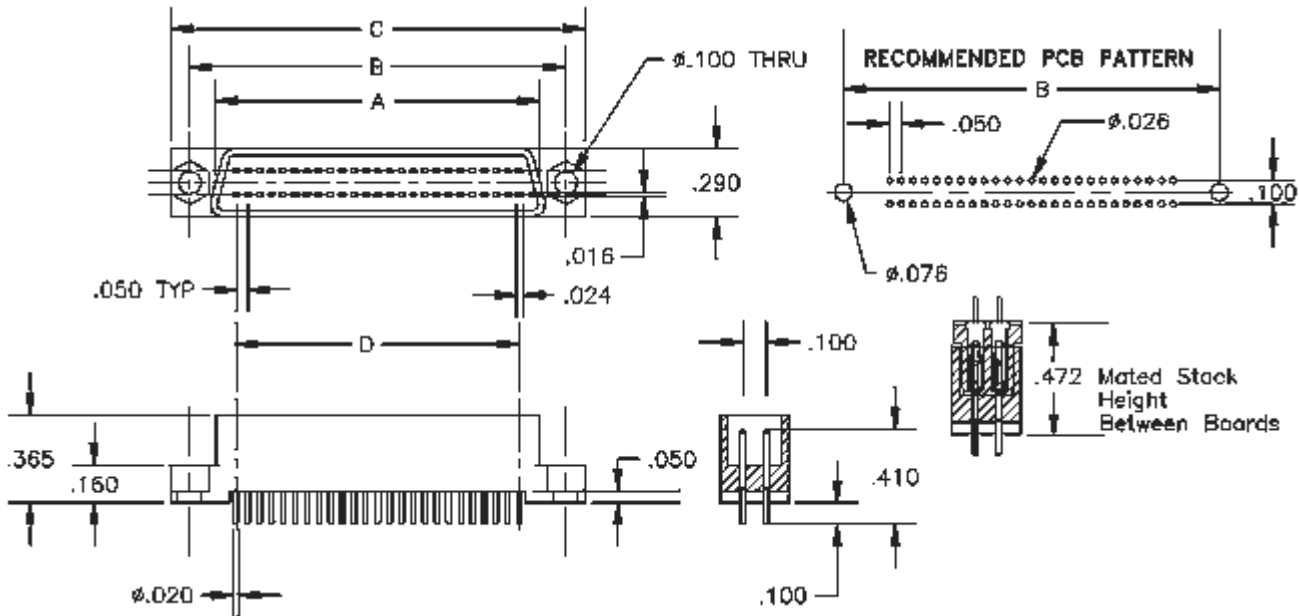


.050	Header	SCSI 3 - Shrouded Male Header	Straight	Thru Hole
------	--------	-------------------------------	----------	-----------

.050 inch x .100 inch Center - SCSI 3 Compatible - Shrouded Straight Header



Base Part Number	A		B		C		D		E		Plating Options	Number of Positions
	mm	Inch	mm	Inch	mm	Inch	mm	Inch	mm	Inch		
<b>8051</b> status = pending	15.80	0.622	21.34	0.840	25.40	1.000	11.43	0.450			G2	20
<b>8051</b>	19.61	0.772	25.15	0.990	29.21	1.150	15.24	0.600			G2	26
<b>8051</b> status = Pending	20.88	0.822	26.42	1.040	30.48	1.200	16.51	0.650			G2	28
<b>8051</b> status = Pending	28.50	1.122	34.04	1.340	38.10	1.500	24.13	0.950			G2	40
<b>8051</b> IP Module	34.85	1.372	40.39	1.590	44.45	1.750	30.48	1.200			G2	50
<b>8051</b> status = Pending	41.20	1.622	46.74	1.840	50.80	2.000	36.83	1.450			G2	60
<b>8051</b>	46.28	1.822	51.82	2.040	55.88	2.200	41.91	1.650			G2	68
<b>8051</b> status = Pending	53.90	2.122	59.44	2.340	63.50	2.500	49.53	1.950			G2	80
<b>8051</b> status = Pending	64.06	2.522	69.60	2.740	73.66	2.900	59.69	2.350			G2	96
<b>8051</b> status = Pending	66.60	2.622	72.14	2.840	76.20	3.000	62.23	2.450			G2	100
<b>8051</b> status = Pending	79.30	3.122	84.84	3.340	88.90	3.500	74.93	2.950			G2	120

**Technical Notes**

<b>Contact Material:</b>	Pin: Phosphor Bronze - .016 inchx.024 inch burr free
<b>Insulation Material:</b>	Glass Filled Nylon 46 - UL 94V-0 rated - Black (std)
<b>Heat Deflection:</b>	260°C @ 264 PSI per ASTM D648
<b>Insulation Resistance:</b>	5000 MegOhm @ 500VDC
<b>Current Rating:</b>	1 amp continuous @ 100 VDC/contact
<b>Max Processing Temp:</b>	250°C for 60 seconds
<b>Plastic:</b>	High Temperature Compatible

***COMM CON CONNECTORS INC.***

1848 Evergreen Street, Duarte, Ca 91010 · (626) 301-4200 · fax (626) 301-4212 · e-mail:  
[info@commcon.com](mailto:info@commcon.com)