

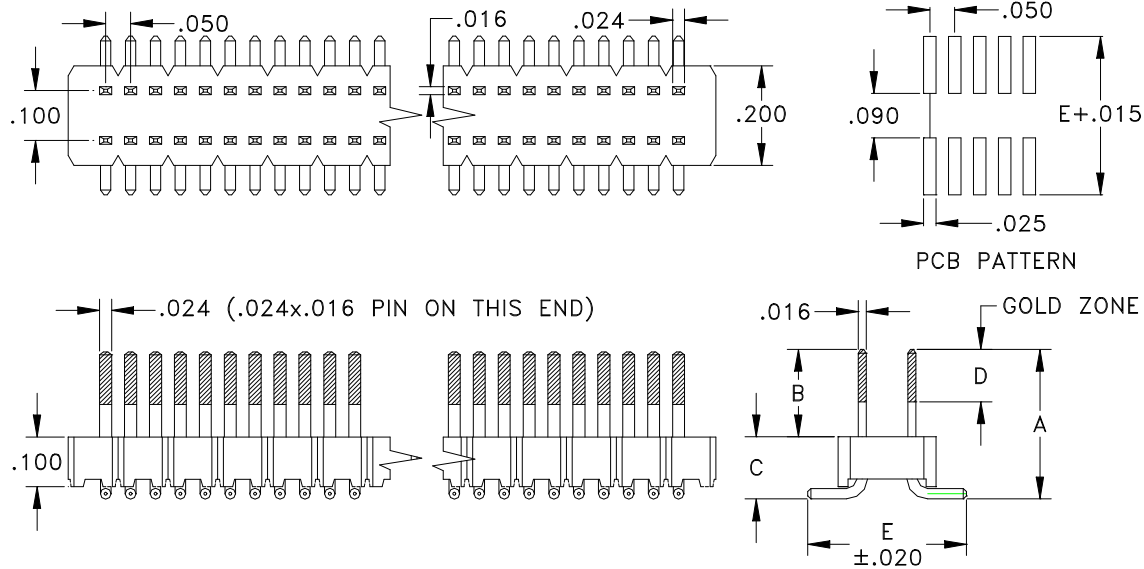
Use this browser's print function to print this entire page, then close this window.

Catalog Page 48-3

Hi Temperature Plastic

.050	Header	Double Row – SCSI 3 Unshrouded	Straight	Thru Hole
------	--------	--------------------------------	----------	-----------

.050" x .100" Center, - SCSI 3 Compatible - Double Row Straight – Surface Mount Header



Base Part Number	A		B		C		D		E		Plating Options	Number of Positions
	mm	Inch	mm	Inch	mm	Inch	mm	Inch	mm	Inch		
8201 for SCSI	8.25	0.325	5.08	0.200	3.18	0.125	4.57	0.180	8.13	0.320	G2LF : TLF	4-20

Technical Notes	
Contact Material:	Pin: Phosphor Bronze - .016" x .024" top/.021" dia. bottom, burr free both ends
Insulation Material:	Glass Filled Nylon 46 - UL 94V-0 rated - Black (std)
Heat Deflection:	260°C @ 264 PSI per ASTM D648
Insulation Resistance:	5000 MegOhm @ 500VDC
Current Rating:	1 amps continuous @ 100 VDC/contact
Max Processing Temp:	250°C for 60 seconds
Plastic:	High Temperature Plastic
COMM CON WORLDWIDE INC.	
759 Flynn Road, Camarillo, Ca 93012 · (805) 384-4898 · fax (805) 384-4899 · e-mail: info@commcon.com	