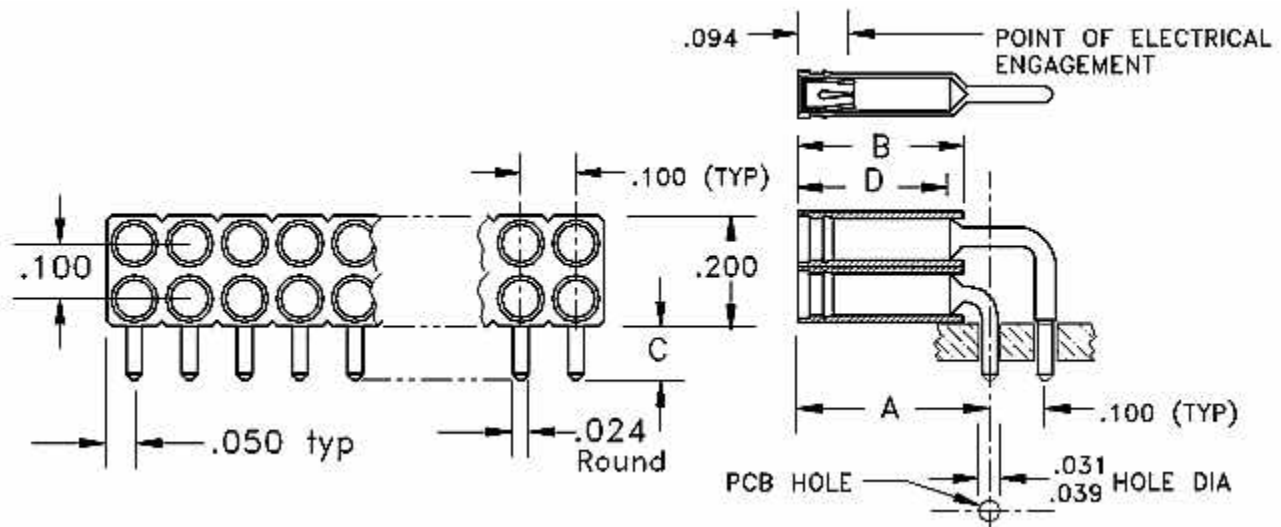


Use this browser's print function to print this entire page, then close this window.

Catalog Page 31-2

.100"	Socket	Double Row - Screw Machine Contacts for .025"	Right Angle	Thru Hole
-------	--------	---	-------------	-----------

.100" Center, Double Row Right Angle, accepting .025" Square Pin, Screw Machine Socket



Base Part Number	A		B		C		D		E		Plating Options	Number of Positions
	mm	Inch	mm	Inch	mm	Inch	mm	Inch	mm	Inch		
1164R	8.31	0.327	6.91	0.272	3.20	0.126	5.79	0.228			G2 : T	4-80

Technical Notes

Contact Material:	Shell: Phosphor Bronz, Contact Clip: 6 finger BeCu [#47]
Insulation Material:	Thermoplastic, UL 94V-0 rated, Black
Insulation Resistance:	5,000 MegOhm @ 500VDC
Current Rating:	3 amp continuous @ 100 VDC/contact
Max Processing Temp:	125°C for 60 seconds
Insertion Force:	200 grams (7.0 oz) (typ initial per w/ .025" sq pin) 6 finger contact [#47]
Extraction Force:	88 grams (3.1 oz) (typ initial per w/ .025" sq pin) 6 finger contact [#47]

COMM CON CONNECTORS INC.

1848 Evergreen Street, Duarte, Ca 91010 · (626) 301-4200 · fax (626) 301-4212 · e-mail: info@commcon.com