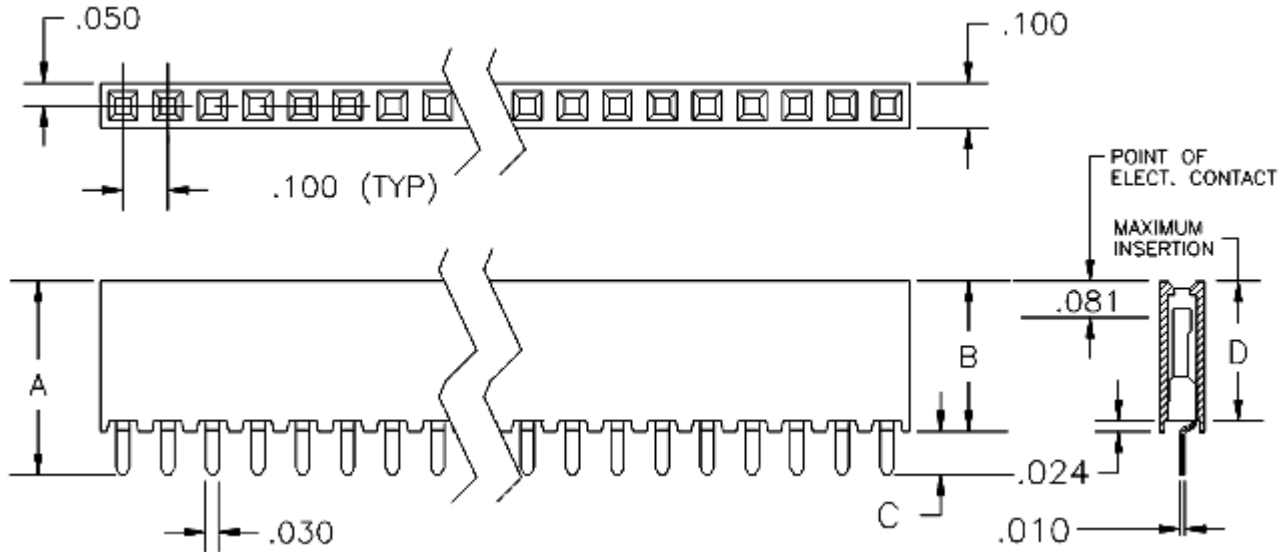


| | | | | |
|------|--------|---------------------------------|----------|-----------|
| .100 | Socket | Single Row - for .025 inch pins | Straight | Thru Hole |
|------|--------|---------------------------------|----------|-----------|

.100 inch Center - Single Row Straight - accepting .025 inch Square Pin - Socket



| Base Part Number | A | | B | | C | | D | | E | | Plating Options | Number of Positions |
|------------------|-------|-------|------|-------|------|-------|------|-------|----|------|-----------------|---------------------|
| | mm | Inch | mm | Inch | mm | Inch | mm | Inch | mm | Inch | | |
| 1105 | 10.92 | 0.430 | 8.51 | 0.335 | 2.44 | 0.096 | 7.82 | 0.308 | | | G2 : T | 2-40 |

| Technical Notes | |
|-------------------------------|---|
| Contact Material: | Contact: 2 Finger Stamped - Phosphor Bronze |
| Insulation Material: | Glass Filled Nylon 46 - UL 94V-0 rated - Black (std) |
| Heat Deflection: | 260°C @ 264 PSI per ASTM D648 |
| Insulation Resistance: | 5000 MegOhm @ 500VDC |
| Current Rating: | 3 amp continuous @ 100 VDC/contact |
| Max Processing Temp: | 250°C for 60 seconds |
| Insertion Force: | 67 grams (2.4oz) (typ initial force per contact w/ .025 inch sq pin) |
| Extraction Force: | 47 grams (1.7 oz) (typ initial force per contact w/ .025 inch sq pin) |
| Plastic: | High Temperature Compatible |

COMM CON CONNECTORS INC.
 1848 Evergreen Street, Duarte, Ca 91010 · (626) 301-4200 · fax (626) 301-4212 · e-mail:
info@commcon.com