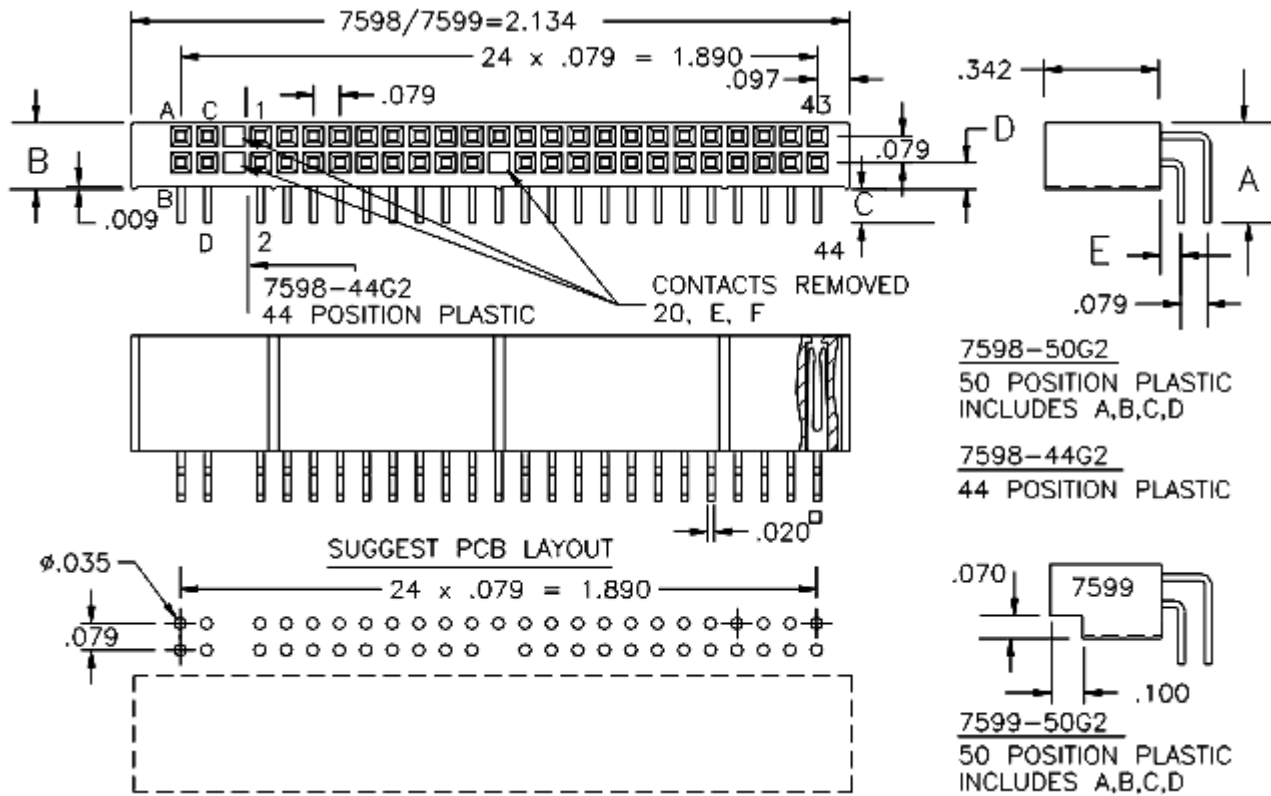


.100	HDD	Connector for 2.5 inch Disk Drives	Right Angle	
------	-----	------------------------------------	-------------	--

Docking Connector for 2.5 inch Hard Drives



Base Part Number	A		B		C		D		E		Plating Options	Number of Positions
	mm	Inch	mm	Inch	mm	Inch	mm	Inch	mm	Inch		
7598	7.52	0.296	4.98	0.196	2.54	0.100	2.01	0.079	1.52	0.060	G2	50:44
7599 for flash drives	8.33	0.328	5.72	0.225	2.54	0.100	2.82	0.111	1.52	0.060	G2	50

Technical Notes	
Current Rating:	3 amps @ 80 ambient
Insulation Material:	Glass Filled Nylon 46 - UL 94V-0 rated - Black (std)
Insulation Resistance:	5000 MegOhm @ 500VDC
Insertion Force:	Typ initial per: 60 grams (2.1 oz)
Extraction Force:	Typical initial per: 80 grams (2.8oz)
Max Processing Temp:	250°C for 60 seconds
Plating:	G2 (tin/gold)
Plastic:	High Temperature Compatible

COMM CON CONNECTORS INC.

1848 Evergreen Street, Duarte, Ca 91010 · (626) 301-4200 · fax (626) 301-4212 · e-mail:

info@commcon.com