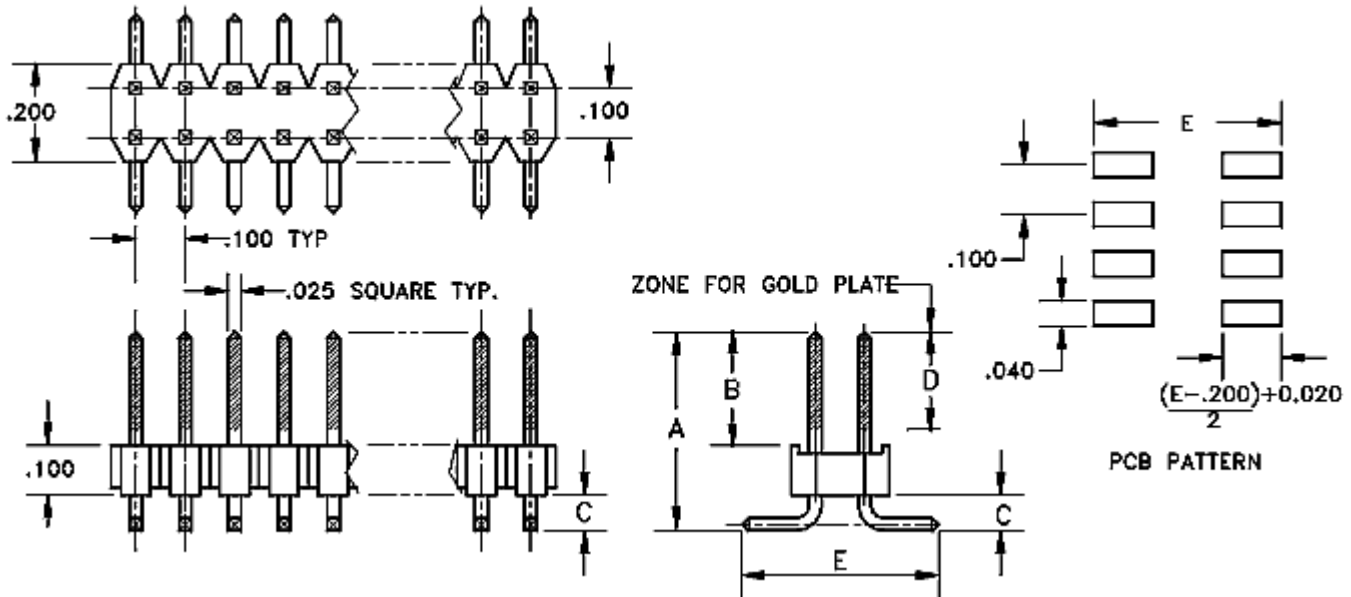


.100	Header	Double Row	Straight	Surface Mount
------	--------	------------	----------	---------------

.100 inch Center - .025 inch Square Pin - Double Row Straight SMD Header



Base Part Number	A		B		C		D		E		Plating Options	Number of Positions
	mm	Inch	mm	Inch	mm	Inch	mm	Inch	mm	Inch		
SM3201	8.89	0.350	5.84	0.230	0.10	0.004	5.84	0.230	7.70	0.303	G2 : T	4-40
HTSM3203	9.52	0.375	6.22	0.245	0.51	0.020	5.84	0.230	7.80	0.307	G2 : T	4-40
SM3204	11.43	0.450	8.13	0.320	0.51	0.020	8.13	0.320	7.95	0.313	G2 : T	4-40

Technical Notes	
Contact Material:	Pin: Phosphor Bronze - .025 inch sq pin - burr free both ends
Insulation Material:	Glass Filled Nylon 46 - UL 94V-0 rated - Black (std)
Heat Deflection:	260°C @ 264 PSI per ASTM D648
Insulation Resistance:	5000 MegOhm @ 500VDC
Current Rating:	3 amps continuous @ 100 VDC/contact
Max Processing Temp:	250°C for 60 seconds
Plastic:	High Temperature Compatible

COMM CON CONNECTORS INC.
 1848 Evergreen Street, Duarte, Ca 91010 · (626) 301-4200 · fax (626) 301-4212 · e-mail:
info@commcon.com