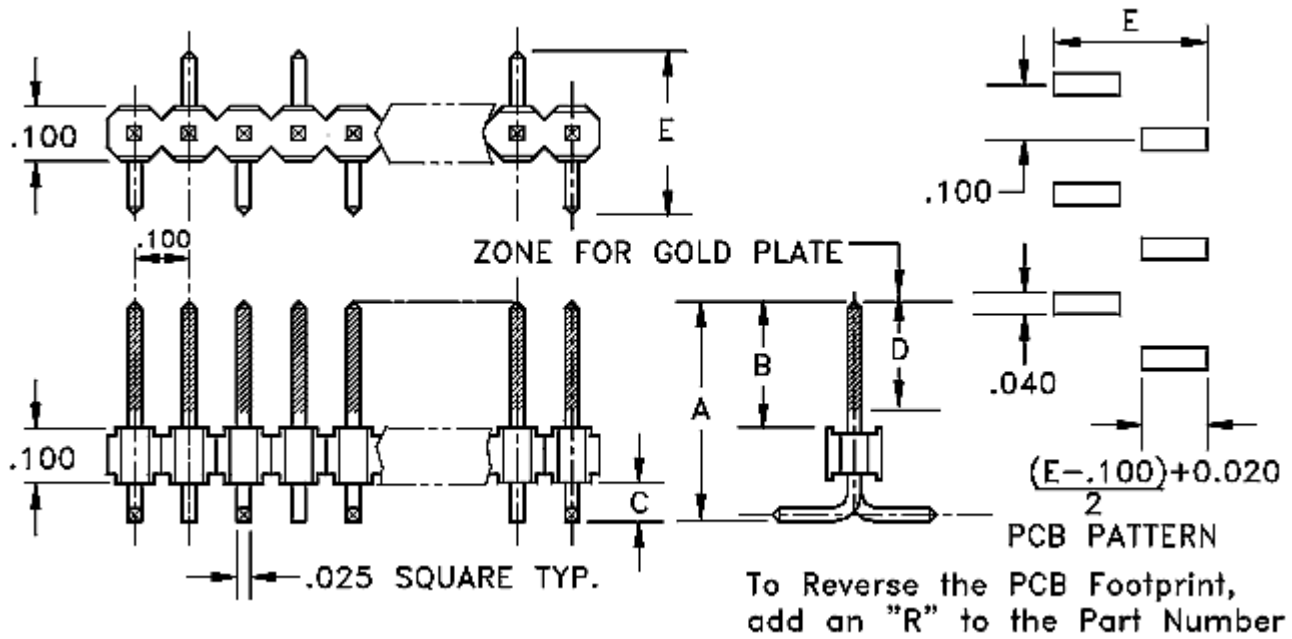


.100	Header	Single Row	Straight	Surface Mount
------	--------	------------	----------	---------------

.100 inch Center - .025 inch Square Pin - Single Row Straight SMD Header



Base Part Number	A		B		C		D		E		Plating Options	Number of Positions
	mm	Inch	mm	Inch	mm	Inch	mm	Inch	mm	Inch		
SM3801 SM3801R	9.14	0.360	5.84	0.230	0.51	0.020	5.84	0.230	4.70	0.185	G2 : T	2-20
HTSM3803 HTSM3803R	9.27	0.365	6.22	0.245	0.51	0.020	5.84	0.230	5.84	0.230	G2 : T	4-20
SM3804 SM3804R	11.43	0.450	8.13	0.320	0.51	0.020	8.13	0.320	5.46	0.215	G2 : T	4-20

Technical Notes	
<b>Contact Material:</b>	Pin: Phosphor Bronze - .025 inch sq pin - burr free both ends
<b>Insulation Material:</b>	Glass Filled Nylon 46 - UL 94V-0 rated - Black (std)
<b>Heat Deflection:</b>	260°C @ 264 PSI per ASTM D648
<b>Insulation Resistance:</b>	5000 MegOhm @ 500VDC
<b>Current Rating:</b>	3 amps continuous @ 100 VDC/contact
<b>Max Processing Temp:</b>	250°C for 60 seconds
<b>Plastic:</b>	High Temperature Compatible

**COMM CON CONNECTORS INC.**  
 1848 Evergreen Street, Duarte, Ca 91010 · (626) 301-4200 · fax (626) 301-4212 · e-mail:  
[info@commcon.com](mailto:info@commcon.com)