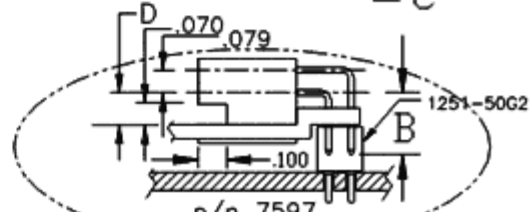
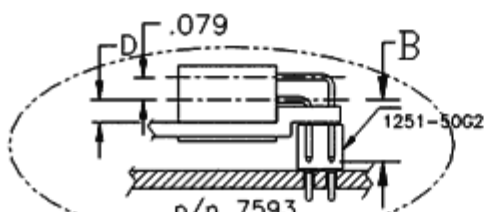
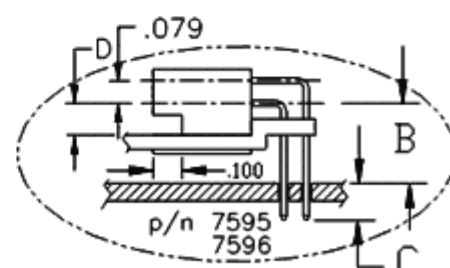
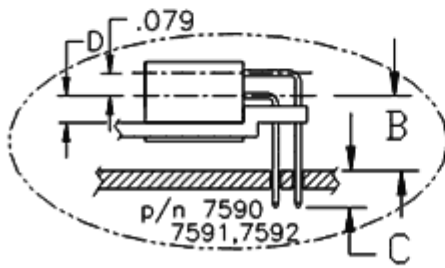
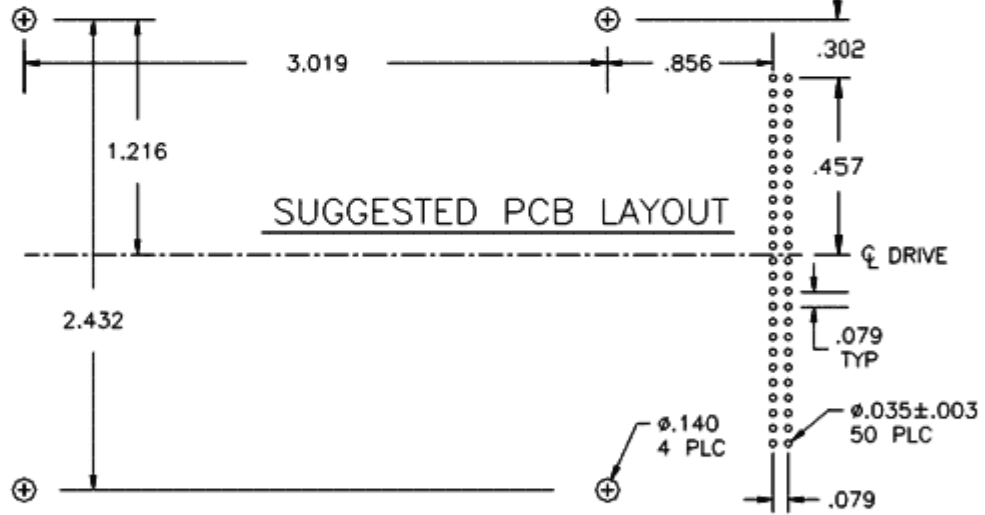
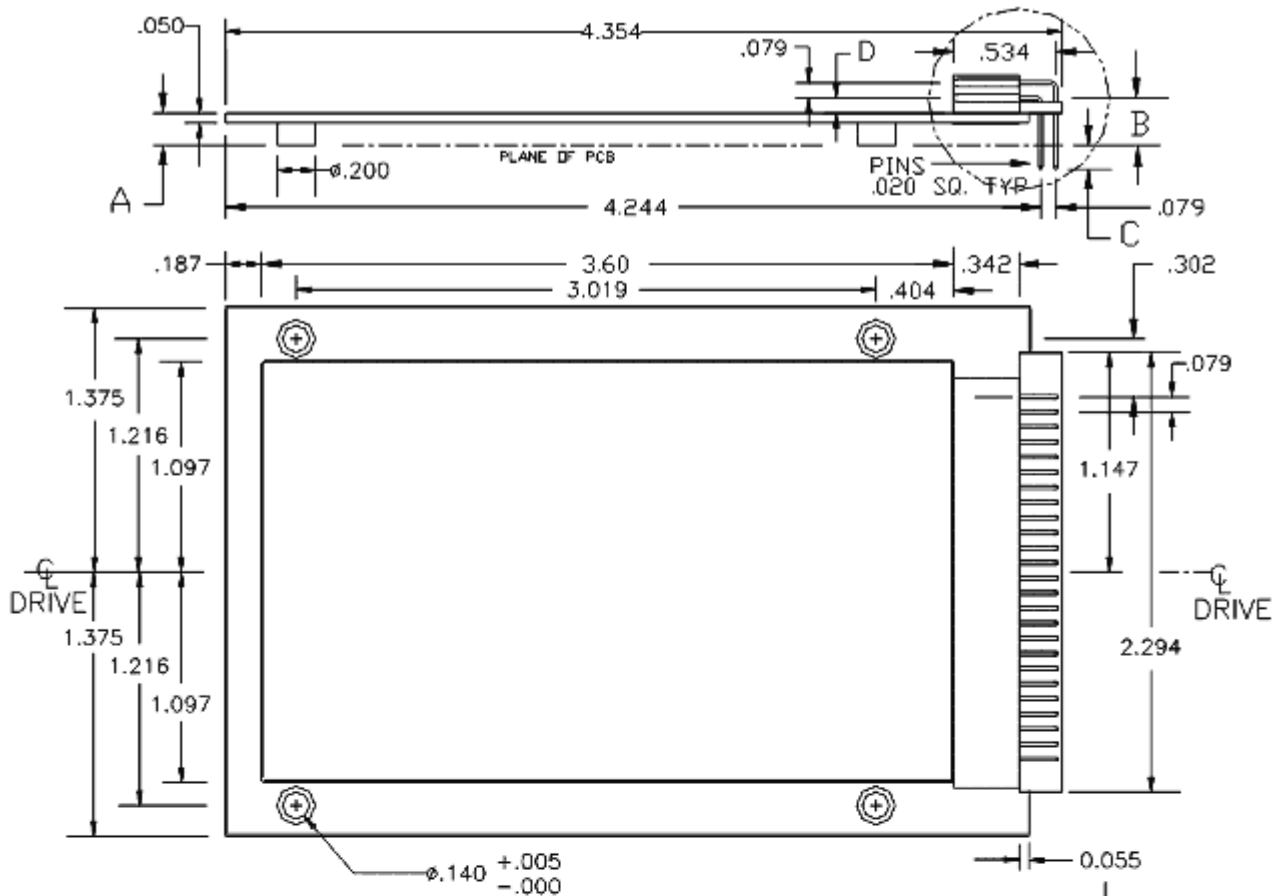


.100	HDD	Connector & Platform for 2.5 inch Hard Drives	Right Angle	with Platform
-------------	------------	--	--------------------	----------------------

Docking Connector & platform for 2.5 inch Hard Drives



Base Part Number	A		B		C		D		E		Plating Options	Number of Positions
	mm	Inch	mm	Inch	mm	Inch	mm	Inch	mm	Inch		
7592	3.05	0.120	5.05	0.199	2.36	0.093	2.01	0.079			X	One Per
7596 for flash drives	3.05	0.120	5.87	0.231	3.58	0.141	2.82	0.111			X	One Per
7590	4.27	0.168	6.27	0.247	3.18	0.125	2.01	0.079			X	One Per
7595 for flash drives	4.27	0.168	7.09	0.279	2.36	0.093	2.82	0.111			X	One Per
7597 for flash drives	4.27	0.168					2.82	0.111			X	One Per
7593	4.27	0.168					2.01	0.079			X	One Per
7591	5.08	0.200	7.09	0.279	2.36	0.093	2.01	0.079			X	One Per

Technical Notes	
Current Rating:	3 amps @ 80 ambient
Insulation Material:	Glass Filled Nylon 46 - UL 94V-0 rated - Black (std)
Insulation Resistance:	5000 MegOhm @ 500VDC
Insertion Force:	Typ initial per: 60 grams (2.1 oz)
Extraction Force:	Typical initial per: 80 grams (2.8oz)
Max Processing Temp:	250°C for 60 seconds
Plating:	G2 (tin/gold)
Plastic:	High Temperature Compatible

COMM CON CONNECTORS INC.
1848 Evergreen Street, Duarte, Ca 91010 · (626) 301-4200 · fax (626) 301-4212 · e-mail:
info@commcon.com