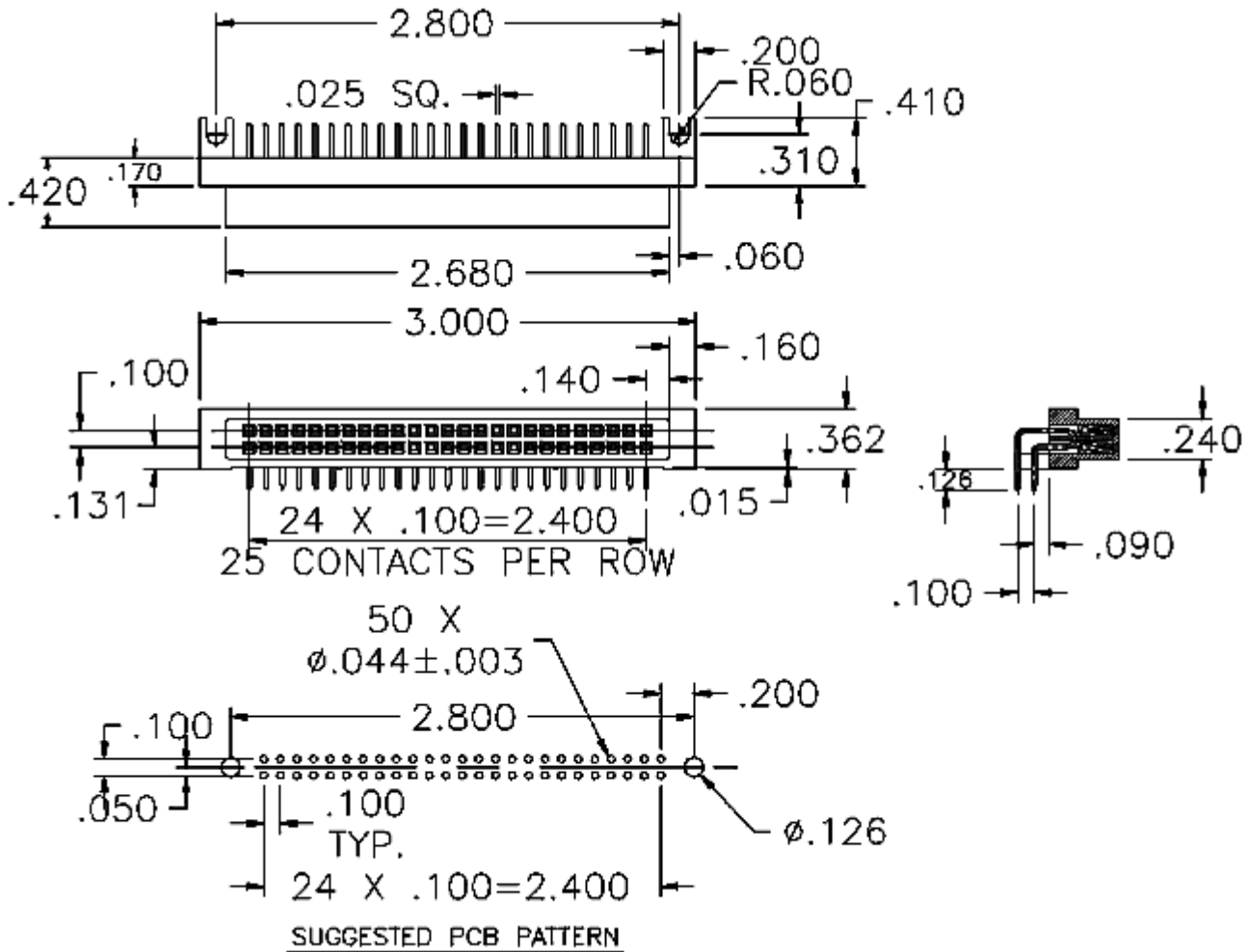


.100	HDD	50 position Female Socket - section	Straight	Low Cost
------	-----	-------------------------------------	----------	----------

Disk Drive 50 pin Female Socket - Straight



Base Part Number	A		B		C		D		E		Plating Options	Number of Positions
	mm	Inch	mm	Inch	mm	Inch	mm	Inch	mm	Inch		
7570											X	One Per

Technical Notes	
Insulation Material:	Glass Filled Nylon 46 - UL 94V-0 rated - Black (std)
Insulation Resistance:	5000 MegOhm @ 500VDC
Insertion Force - total:	9 pounds (4.1 Kg) total
Extraction Force - total:	5.9 pounds (2.7 Kg)
Max Processing Temp:	250°C for 60 seconds
Plating:	Power = tin Signal = G2 (tin/gold)
Plastic:	High Temperature Compatible

COMM CON CONNECTORS INC.

1848 Evergreen Street, Duarte, Ca 91010 · (626) 301-4200 · fax (626) 301-4212 · e-mail:

info@commcon.com