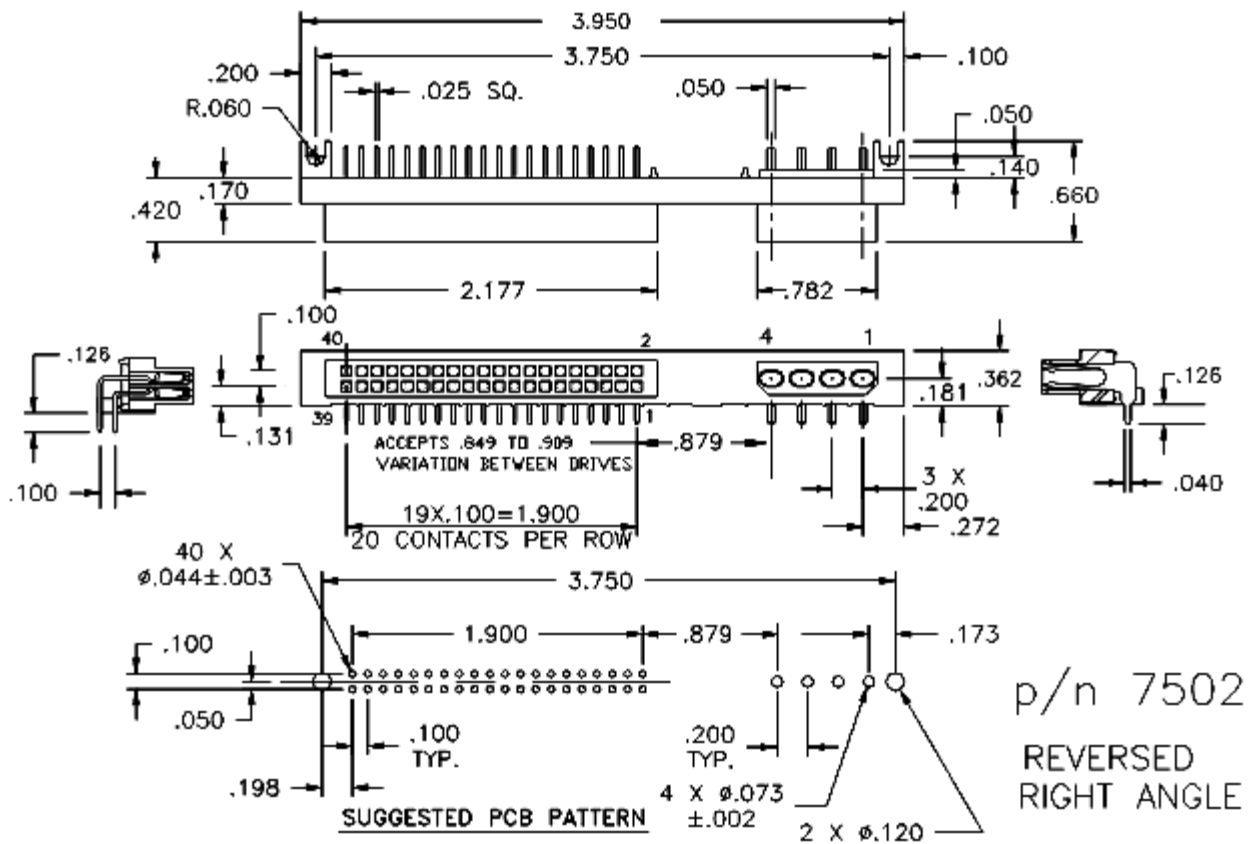


.100	HDD	40 Female + 4 Female Power - Reverse	Right Angle	Signal pins on left side
------	-----	--------------------------------------	-------------	--------------------------

Disk Drive IDE Combo Conn: 40 Female + 4 Female Power - Reversed Right Angle



p/n 7502
REVERSED
RIGHT ANGLE

Base Part Number	A		B		C		D		E		Plating Options	Number of Positions
	mm	Inch	mm	Inch	mm	Inch	mm	Inch	mm	Inch		
7502											X	One Per
7502HS Hot Swap											X	One Per

Technical Notes	
Mates with Drives from:	Seagate - IBM - Quantum (see Maxtor model list)- Fujitsu - Samsung
Insulation Material:	Glass Filled Nylon 46 - UL 94V-0 rated - Black (std)
Insulation Resistance:	5000 MegOhm @ 500VDC
Insertion Force - total:	11 pounds (5.0 Kg) total
Extraction Force - total:	6.8 pounds (3.0 Kg)
Max Processing Temp:	250°C for 60 seconds
Plating:	Power = tin Signal = G2 (tin/gold)
Plastic:	High Temperature Compatible

COMM CON CONNECTORS INC.

1848 Evergreen Street, Duarte, Ca 91010 · (626) 301-4200 · fax (626) 301-4212 · e-mail:
info@commcon.com