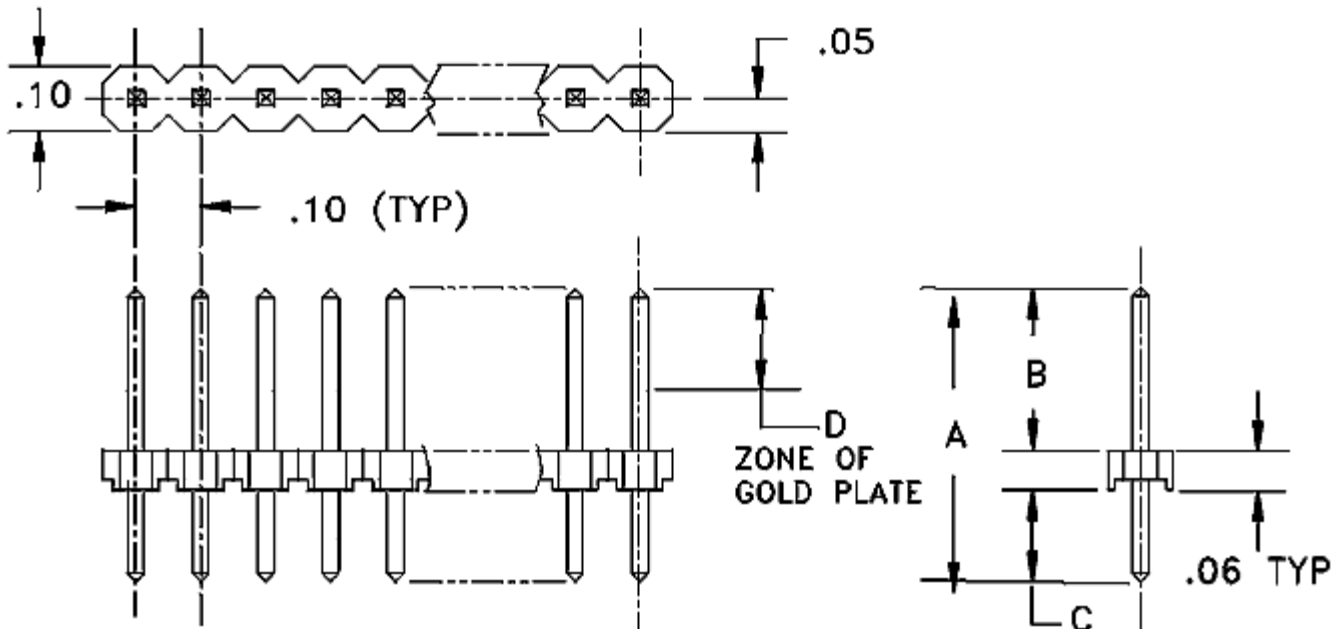


.100	Header	Single Row - Micro Height	Straight	Thru Hole
------	--------	---------------------------	----------	-----------

.100 inch Center - .025 inch Square Pin - Micro Height - Single Row Straight Header



Base Part Number	A		B		C		D		E		Plating Options	Number of Positions
	mm	Inch	mm	Inch	mm	Inch	mm	Inch	mm	Inch		
3101	8.38	0.330	4.06	0.160	2.79	0.110	3.81	0.150			G2 : G1 : T	1-40

Technical Notes	
Contact Material:	Pin: Phosphor Bronze - .025 inch sq pin - burr free both ends
Insulation Material:	Glass Filled Nylon 46 - UL 94V-0 rated - Black (std)
Heat Deflection:	260°C @ 264 PSI per ASTM D648
Insulation Resistance:	5000 MegOhm @ 500VDC
Current Rating:	3 amps continuous @ 100 VDC/contact
Max Processing Temp:	250°C for 60 seconds
Plastic:	High Temperature Compatible

COMM CON CONNECTORS INC.
 1848 Evergreen Street, Duarte, Ca 91010 · (626) 301-4200 · fax (626) 301-4212 · e-mail:
info@commcon.com