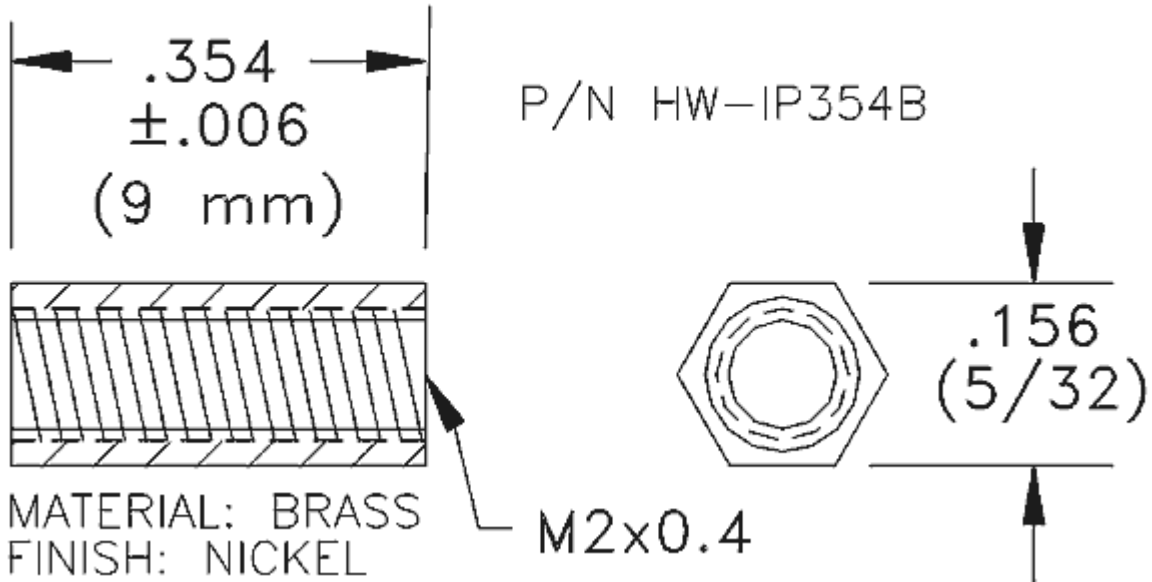


Catalog Page 103-1

| | | | | |
|------|----------|--------------------------------|--|--|
| .050 | Hardware | Spacer for IP Module Mezzanine | | |
|------|----------|--------------------------------|--|--|

Spacer for IP Module Mezzanine (sold individually / order 2 per connector)

SPACER FOR IP MODULE MEZZANINE CONNECTORS



| Base Part Number | A | | B | | C | | D | | E | | Plating Options | Number of Positions |
|-------------------------------|----|------|----|------|----|------|----|------|----|------|---------------------------------|---------------------|
| | mm | Inch | mm | Inch | mm | Inch | mm | Inch | mm | Inch | | |
| HW-IP354B IP Module | | | | | | | | | | | X | One Per |

| Technical Notes | |
|------------------|-------|
| Material: | Brass |

COMM CON CONNECTORS INC.
 1848 Evergreen Street, Duarte, Ca 91010 · (626) 301-4200 · fax (626) 301-4212 · e-mail:
info@commcon.com